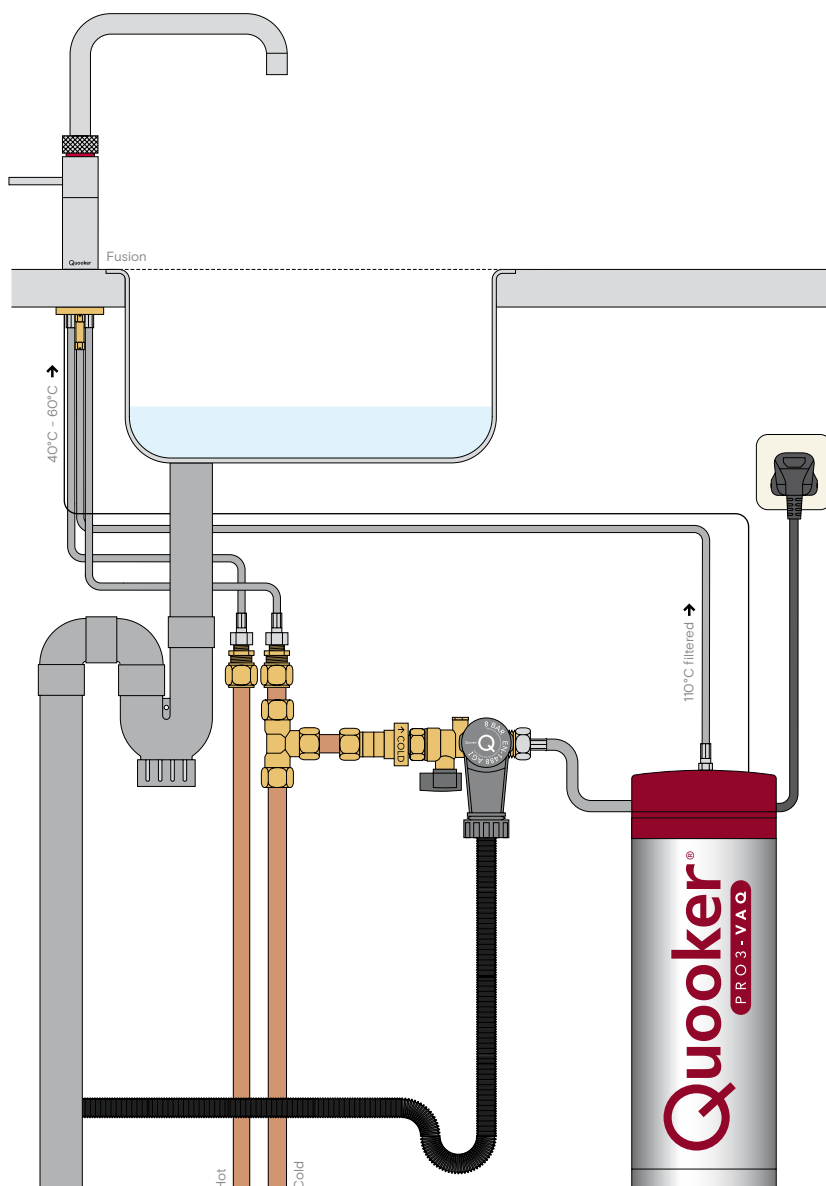


# Installation overview PRO3 and (classic) Fusion



Tank: PRO3

Voltage: 230V

Wattage: 1600W

Capacity: 3 litres

Heating-up time: 10 minutes\*

Stand-by power consumption: 10W\*

Tank height: 40 cm

Total height requirement: 48 cm

Tank diameter: 15 cm

Tap hole Flex: 35 mm

Min. mains pressure: 200 kPa (2 bar)

Min. hot water pressure: 200 kPa (2 bar)

Recomm. pressure: 200 - 400kPa

(2 - 4 bar)

Mounting bracket optional: yes

Safety feature: maximum temperature /  
pressure relief valve 8 bar

HiTAC® water filter: High Temperature

Activated Carbon

\* These are average values

# Installation overview PRO7 with (classic) Fusion

---

**Tank: PRO7**

---

Voltage: 230V

---

Wattage: 2900W

---

Capacity: 7 litres

---

Heating-up time: 15 minutes \*

---

Stand-by power consumption: 10W \*

---

Tank height: 47 cm

---

Total height requirement: 55 cm

---

Tank diameter: 20 cm

---

Tap hole Fusion: 35 mm

---

Min. mains pressure: 200 kPa (2 bar)

---

Min. hot water pressure: 200 kPa (2 bar)

---

Recomm. pressure: 200 - 400kPa

---

(2 - 4 bar)

---

Mounting bracket optional: yes

---

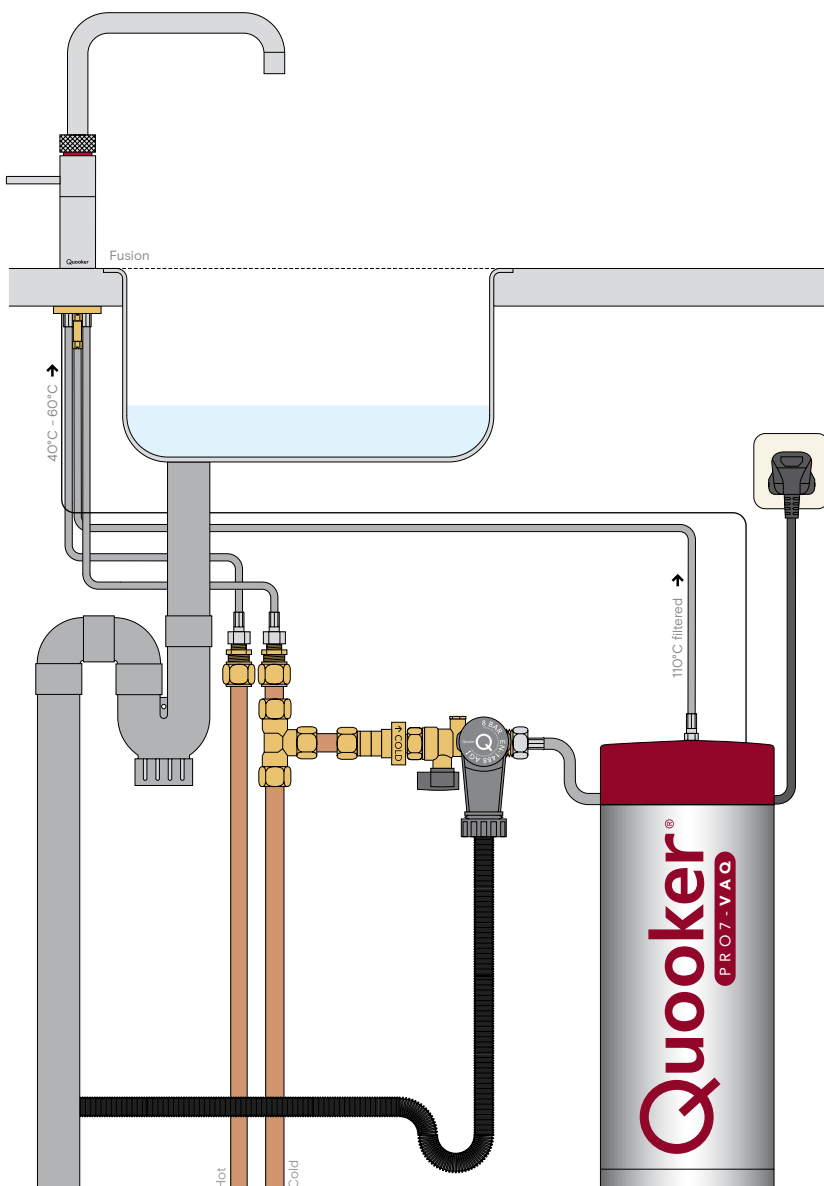
Safety feature: maximum temperature /  
pressure relief valve 8 bar

---

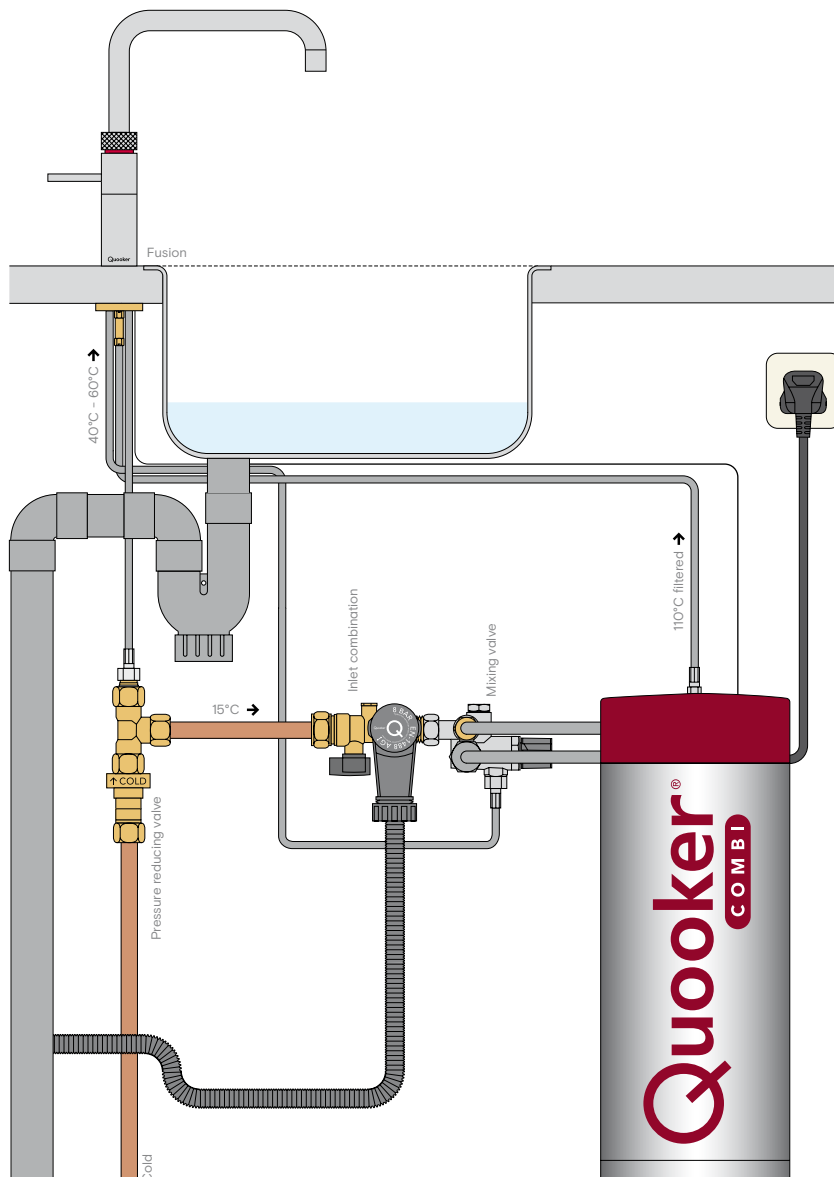
HiTAC® water filter: High Temperature  
Activated Carbon

---

\* These are average values



# Installation overview COMBI with (classic) Fusion



**Tank: COMBI**

Voltage: 230V

Wattage: 2200W

Capacity: 7 litres

Heating-up time: 20 minutes

Stand-by power consumption: 10W \*

Tank height: 47 cm

Total height requirement: 55 cm

Tank diameter: 20 cm

Tap hole Fusion: 35 mm

Min. mains pressure: 200 kPa (2 bar)

Recomm. pressure: 200 - 400 kPa

(2 - 4 bar)

Volume at 40°C: 27 litres \*

Volume at 60°C: 15 litres \*

Mounting bracket optional: yes

Temperature regulation: thermostatic

Safety feature: maximum temperature /  
pressure relief valve 8 bar

HiTAC® water filter: High Temperature

Activated Carbon

Energy label

Declared load profile: XXS

Water heating energy efficiency class: A

Water heating energy efficiency: 36 %

Annual electricity consumption:

511kWh/A

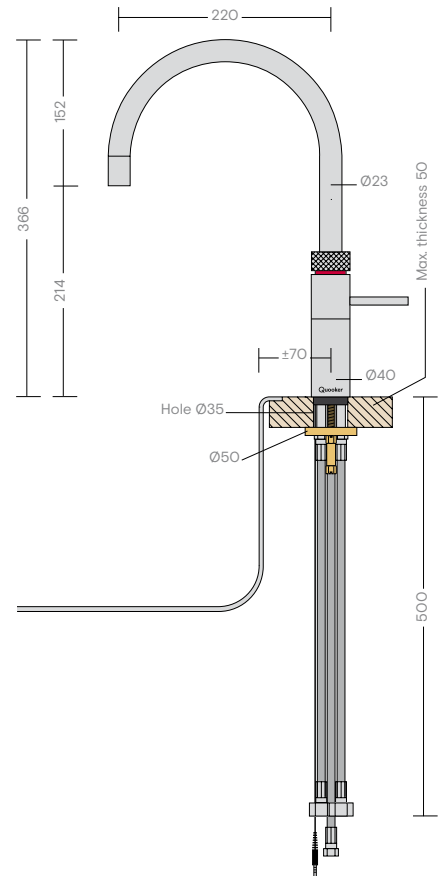
Warm water temperature settings

of the water heater: 40 - 60 °C

\* These are average values.

# Fusion Round

The boiling-water tap and mixer tap are combined in the Fusion Round. Manufactured with an extra child-proof double push-and-turn handle. Hot, cold and boiling water from a single tap with a double-walled, round spout.



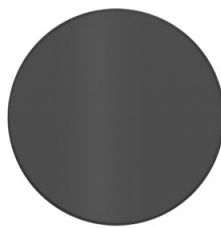
## Finishes



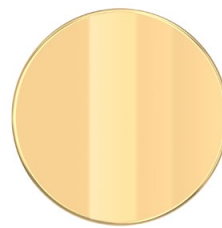
polished chrome (CHR)



stainless steel (RVS)



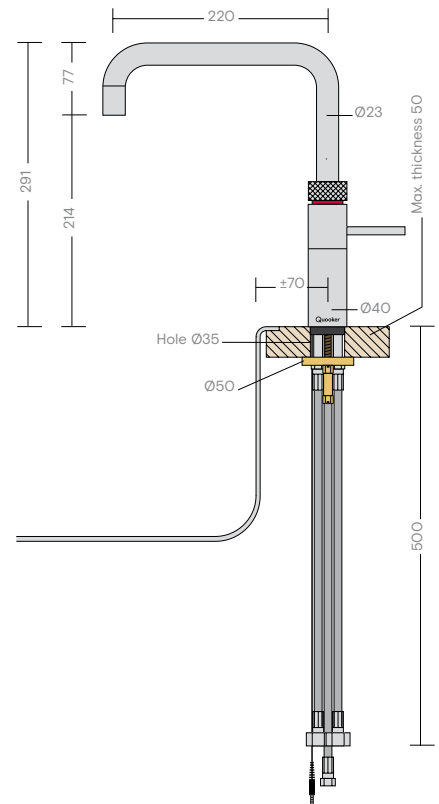
black (BLK)



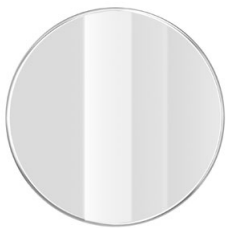
gold (GLD)

# Fusion Square

The boiling-water tap and mixer tap are combined in the Fusion Square. Manufactured with an extra child-proof double push-and-turn handle. Hot, cold and boiling water from a single tap with a double-walled, straight spout.



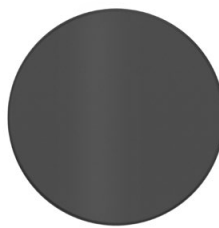
## Finishes



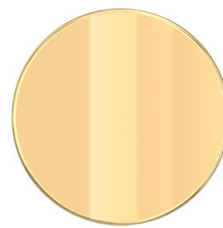
polished chrome (CHR)



stainless steel (RVS)



black (BLK)



gold (GLD)