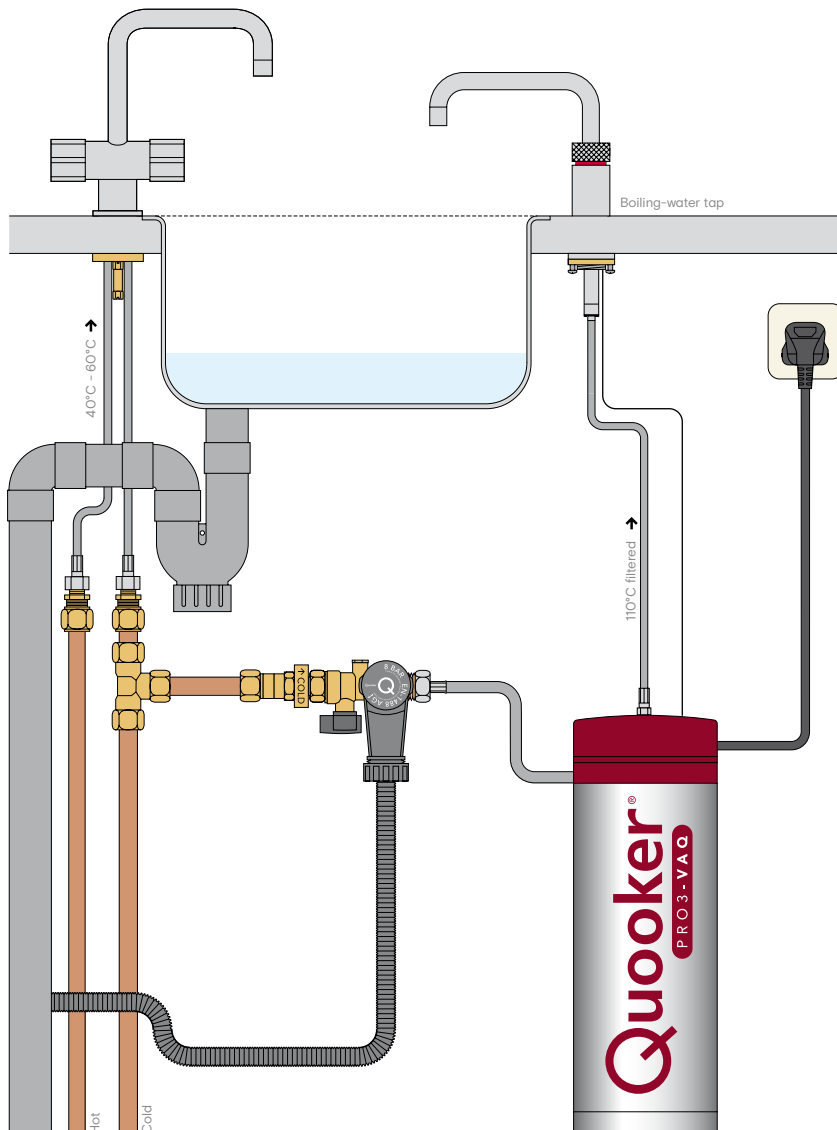


Installation overview PRO3 with (classic) Nordic single tap



Tank: PRO3

Voltage: 230V

Wattage: 1600W

Capacity: 3 litres

Heating-up time: 10 minutes *

Stand-by power consumption: 10W *

Tank height: 40 cm

Total height requirement: 48 cm

Tank diameter: 15 cm

Tap hole boiling-water tap: 32 mm

Min. mains pressure: 200 kPa (2 bar)

Min. hot water pressure: 200 kPa (2 bar)

Recomm. pressure: 200 - 400 kPa

(2 - 4 bar)

Mounting bracket optional: yes

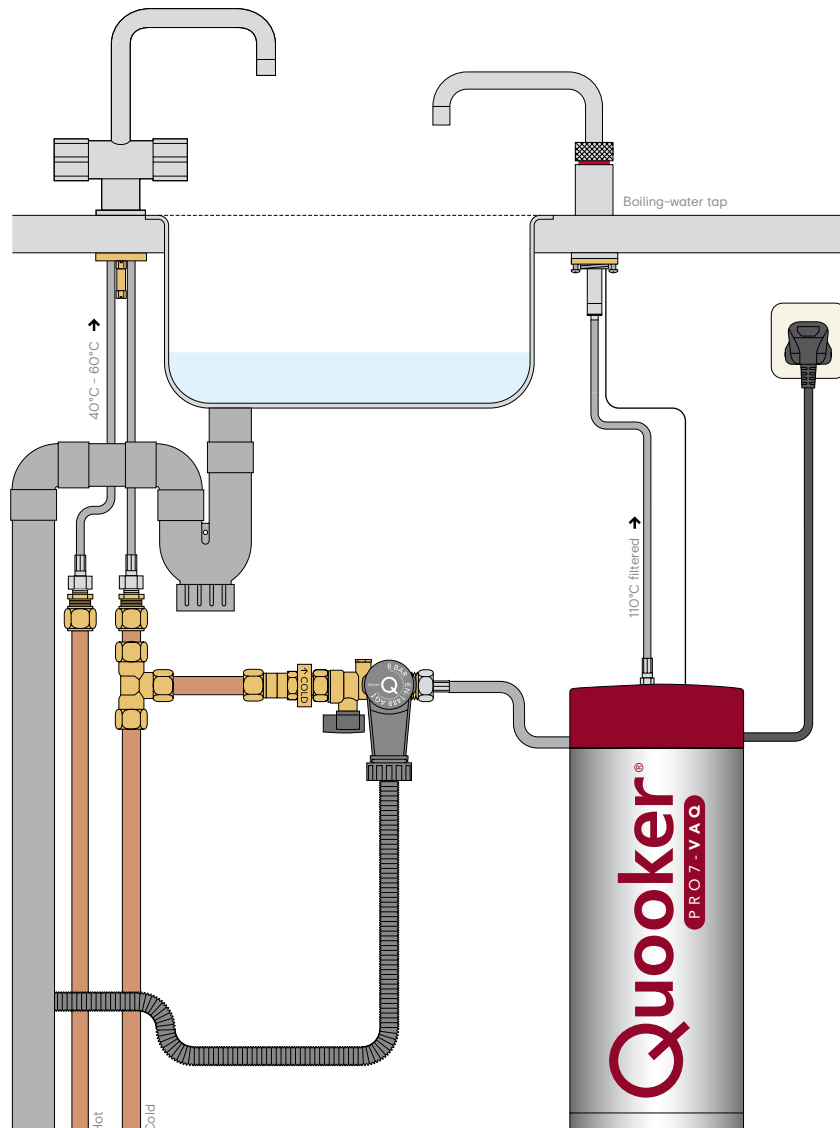
Safety feature: maximum temperature /
pressure relief valve 8 bar

HiTAC® water filter: High Temperature

Activated Carbon

* These are average values.

Installation overview PRO7 with (classic) Nordic single tap



Tank: PRO7

Voltage: 230V

Wattage: 2900W

Capacity: 7 litres

Heating-up time: 15 minutes *

Stand-by power consumption: 10W *

Tank height: 47 cm

Total height requirement: 55 cm

Tank diameter: 20 cm

Tap hole boiling-water tap: 32 mm

Min. mains pressure: 200 kPa (2 bar)

Min. hot water pressure: 200 kPa (2 bar)

Recomm. pressure: 200 - 400 kPa

(2 - 4 bar)

Mounting bracket optional: yes

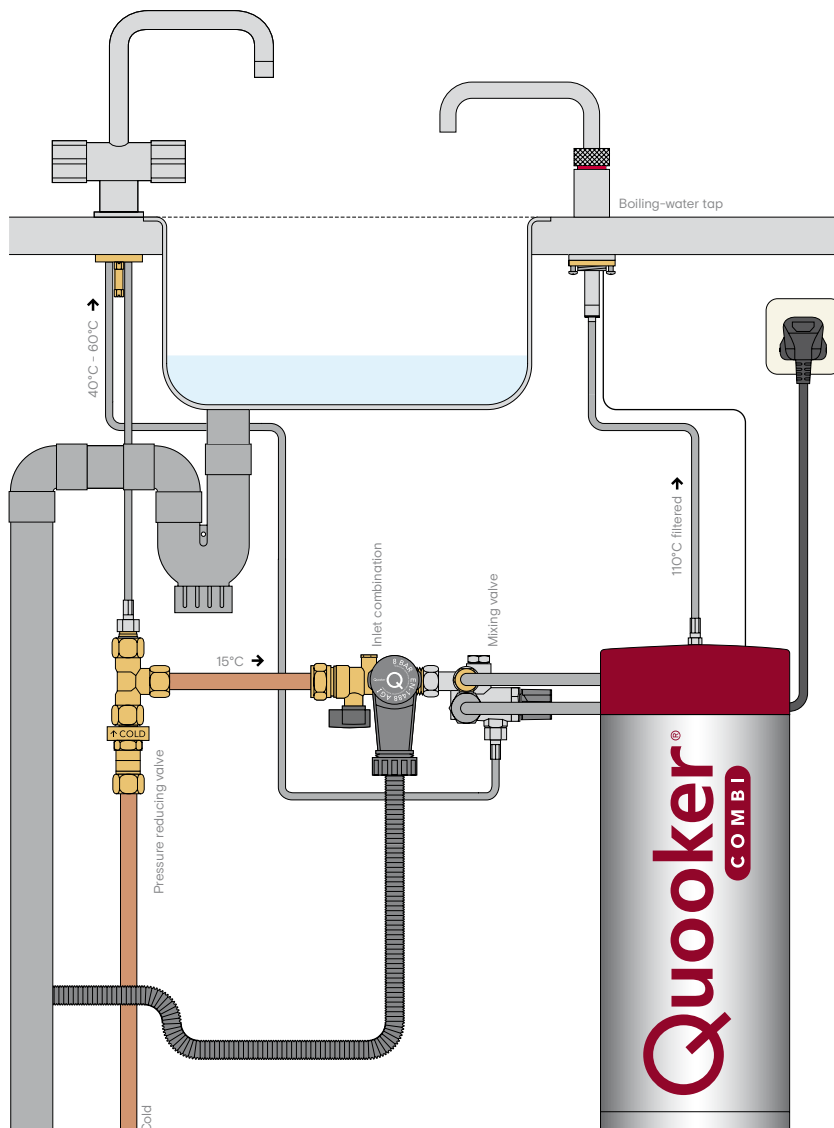
Safety feature: maximum temperature /
pressure relief valve 8 bar

HiTAC® water filter: High Temperature

Activated Carbon

* These are average values.

Installation overview COMBI with (classic) Nordic single tap



Tank: COMBI

Voltage: 230V

Wattage: 2200W

Capacity: 7 litres

Heating-up time: 20 minutes *

Stand-by power consumption: 10W *

Tank height: 47 cm

Total height requirement: 55 cm

Tank diameter: 20 cm

Tap hole boiling-water tap: 32 mm

Tap hole mixer tap: 35 mm

Min. mains pressure: 200 kPa (2 bar)

Recomm. pressure: 200 - 400 kPa

(2 - 4 bar)

Volume at 40°C: 27 litres *

Volume at 60°C: 15 litres *

Mounting bracket optional: yes

Temperature regulation: thermostatic

Safety feature: maximum temperature /
pressure relief valve 8 bar

HiTAC® water filter: High Temperature

Activated Carbon

Energy label

Declared load profile: XXS

Water heating energy efficiency class: A

Water heating energy efficiency: 36%

Annual electricity consumption:

511kWh/A

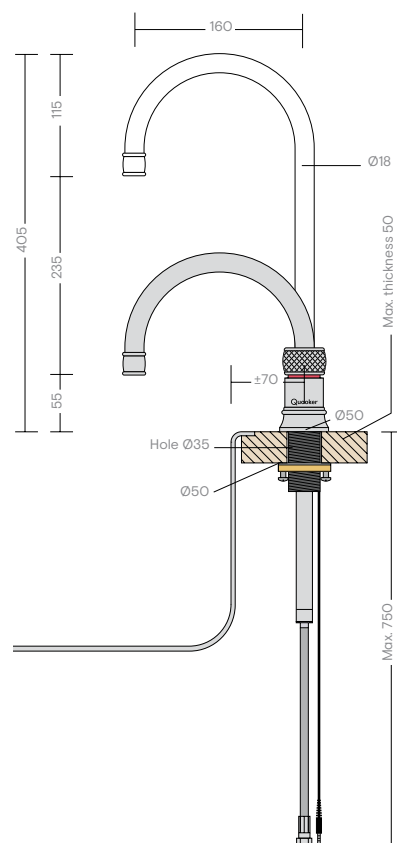
Warm water temperature settings

of the water heater: 40 - 60°C

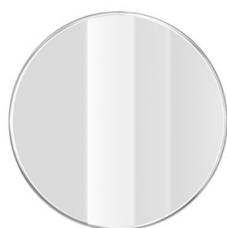
* These are average values.

Classic Nordic Round single tap

The boiling-water taps are also available in a Classic look - in case you already have a nice country style mixer tap. The Classic Nordic single tap Round is a boiling-water tap with a round spout. It is height-adjustable and can be rotated 360°.



Finishes



polished chrome (CHR)



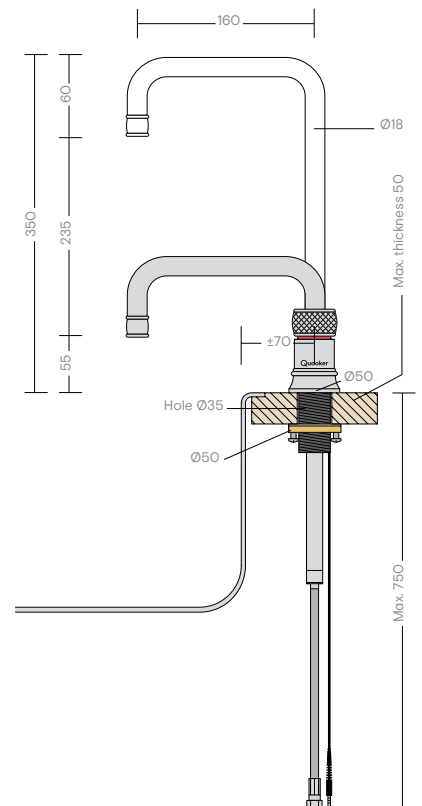
stainless steel (RVS)



nickel (NIG)

Classic Nordic Square single tap

The boiling-water taps are also available in a Classic look - in case you already have a nice country style mixer tap. The Classic Nordic single tap Square is a boiling-water tap with a straight spout. It is height-adjustable and can be rotated 360°.



Finishes



polished chrome (CHR)



stainless steel (RVS)



nickel (NIG)