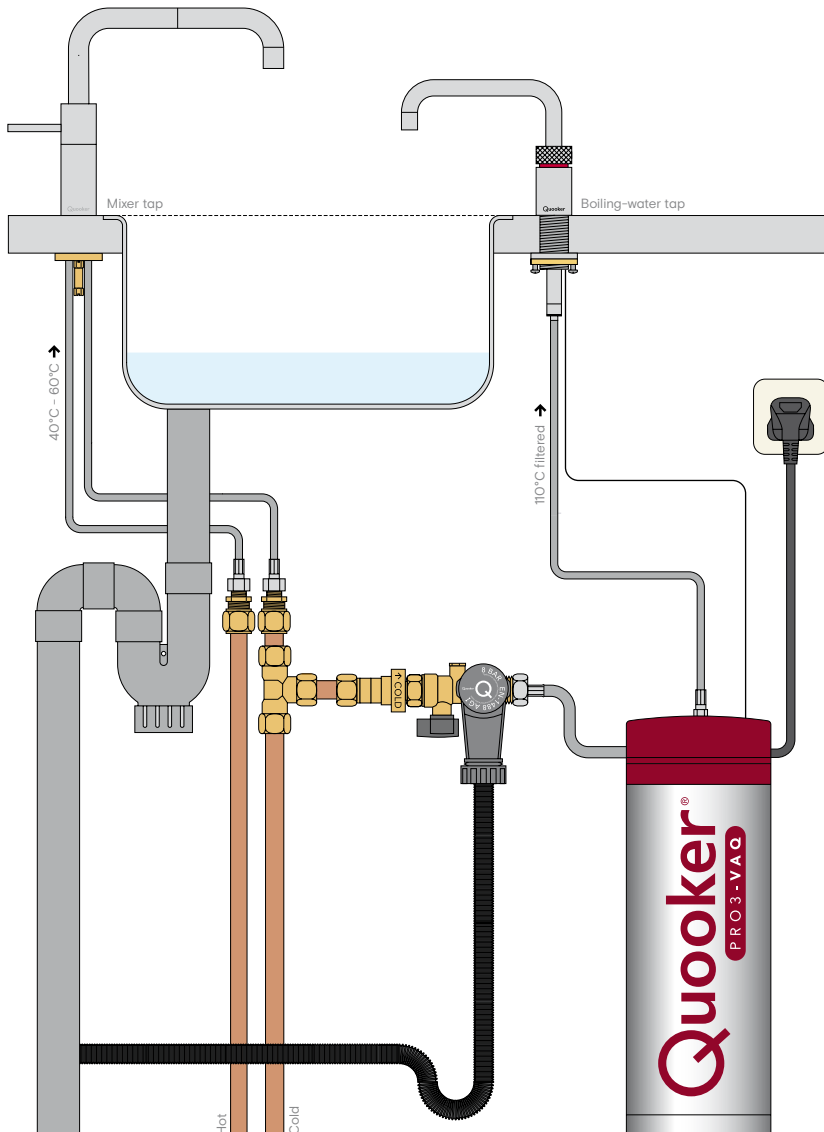


# Aansluitschema PRO3 met Twintaps



**Tank: PRO3**

Voltage: 230V

Wattage: 1600W

Capacity: 3 litres

Heating-up time: 10 minutes \*

Stand-by power consumption: 10W \*

Tank height: 40 cm

Total height requirement: 48 cm

Tank diameter: 15 cm

Tap hole boiling-water tap: 32 mm

Tap hole mixer tap: 35 mm

Min. mains pressure: 200 kPa (2 bar)

Min. hot water pressure: 200 kPa (2 bar)

Recomm. pressure: 200 - 400 kPa

(2 - 4 bar)

Mounting bracket optional: yes

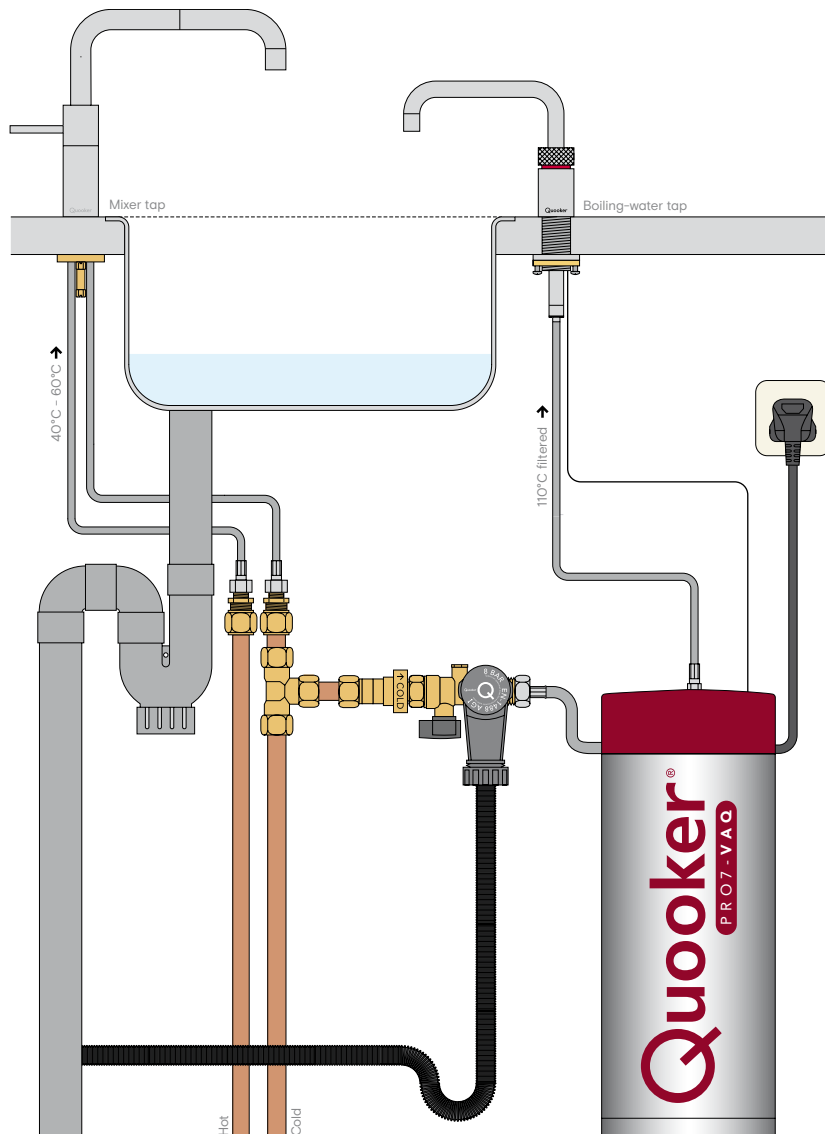
Safety feature: maximum temperature /  
pressure relief valve 8 bar

HiTAC® water filter: High Temperature

Activated Carbon

\* These are average values.

# Installation overview PRO7 with Twintaps



**Tank: PRO7**

Voltage: 230V

Wattage: 2900W

Capacity: 7 litres

Heating-up time: 15 minutes \*

Stand-by power consumption: 10W \*

Tank height: 47 cm

Total height requirement: 55 cm

Tank diameter: 20 cm

Tap hole boiling-water tap: 32 mm

Tap hole mixer tap: 35 mm

Min. mains pressure: 200 kPa (2 bar)

Min. hot water pressure: 200 kPa (2 bar)

Recomm. pressure: 200 - 400 kPa

(2 - 4 bar)

Mounting bracket optional: yes

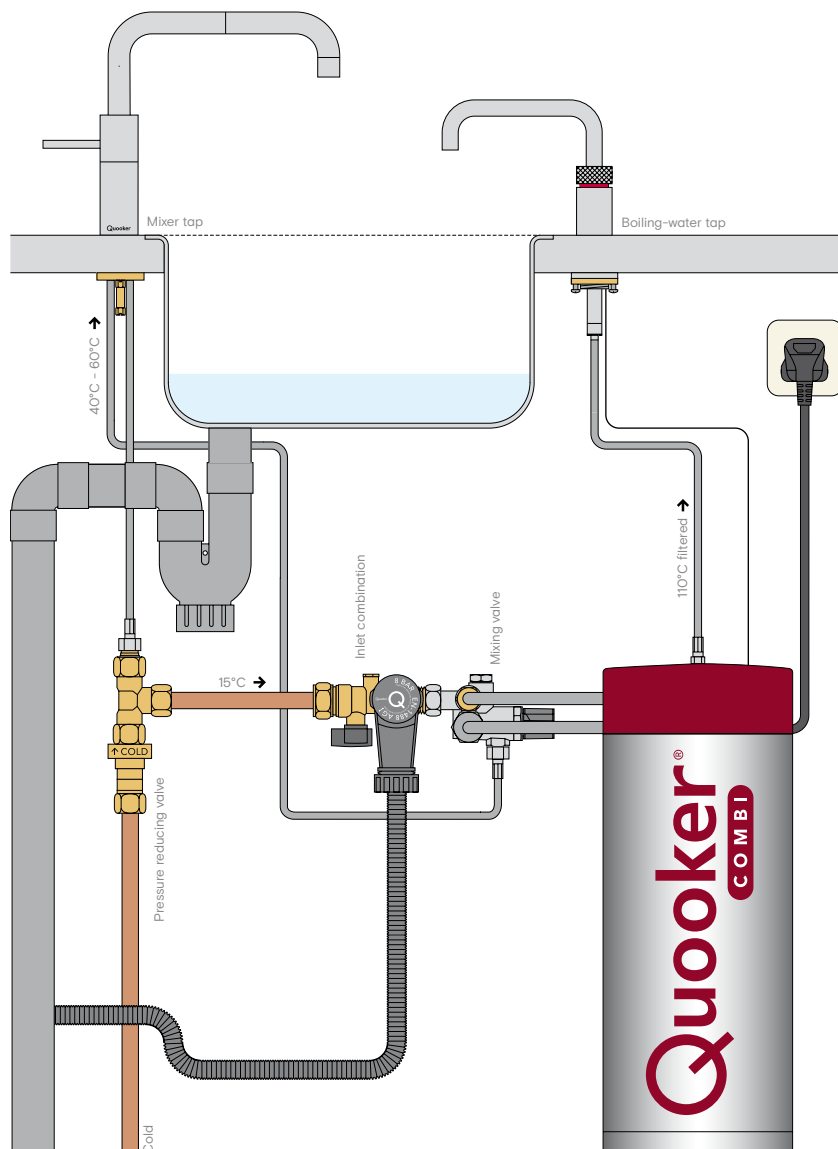
Safety feature: maximum temperature /  
pressure relief valve 8 bar

HiTAC® water filter: High Temperature

Activated Carbon

\* These are average values.

# Installation overview COMBI met Twintaps



**Tank: COMBI**

Voltage: 230V

Wattage: 2200W

Capacity: 7 litres

Heating-up time: 20 minutes \*

Stand-by power consumption: 10W \*

Tank height: 47 cm

Total height requirement: 55 cm

Tank diameter: 20 cm

Tap hole boiling-water tap: 32 mm

Tap hole mixer tap: 35 mm

Min. mains pressure: 200 kPa (2 bar)

Recomm. pressure: 200 - 400 kPa

(2 - 4 bar)

Volume at 40 °C: 27 litres \*

Volume at 60 °C: 15 litres \*

Mounting bracket optional: yes

Temperature regulation: thermostatic

Safety feature: maximum temperature /

pressure relief valve 8 bar

HiTAC® water filter: High Temperature

Activated Carbon

## Energy label

Declared load profile: XXS

Water heating energy efficiency class: A

Water heating energy efficiency: 36%

Annual electricity consumption:

511kWh/A

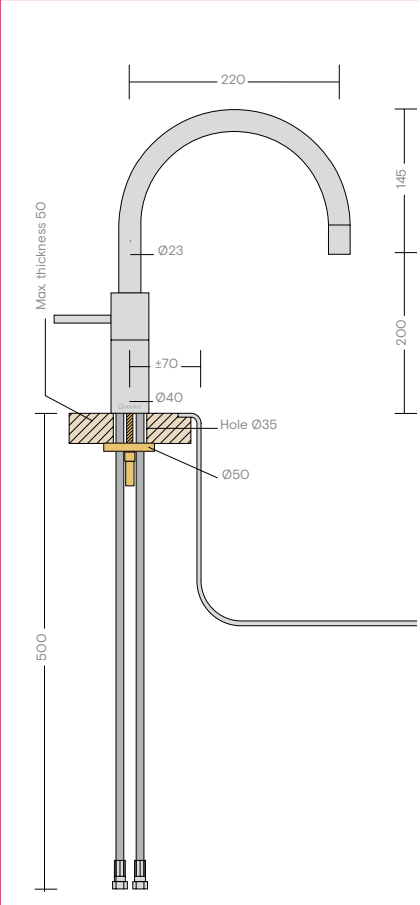
Warm water temperature settings

of the water heater: 40 - 60 °C

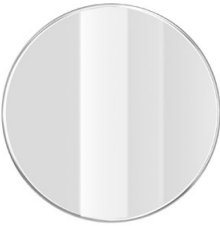
\* These are average values.

# Nordic Round Twintaps

Consists of mixer tap and boiling-water tap in the same design with round spouts. The boiling-water tap in the set is height-adjustable and can be rotated 360°.



## Finishes

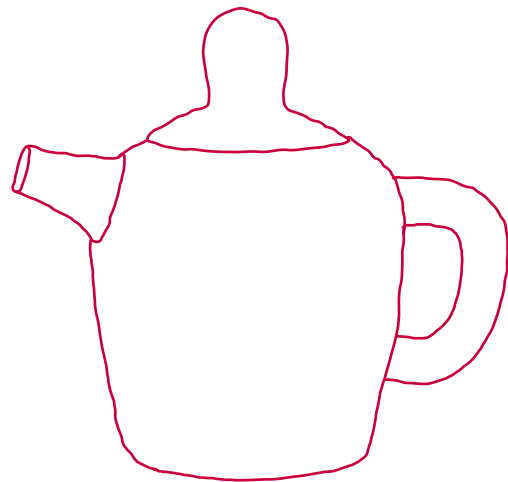
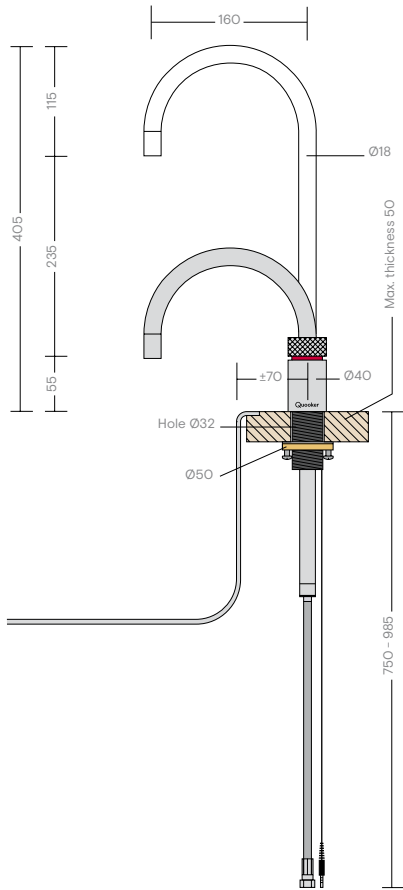


polished chrome (CHR)

---

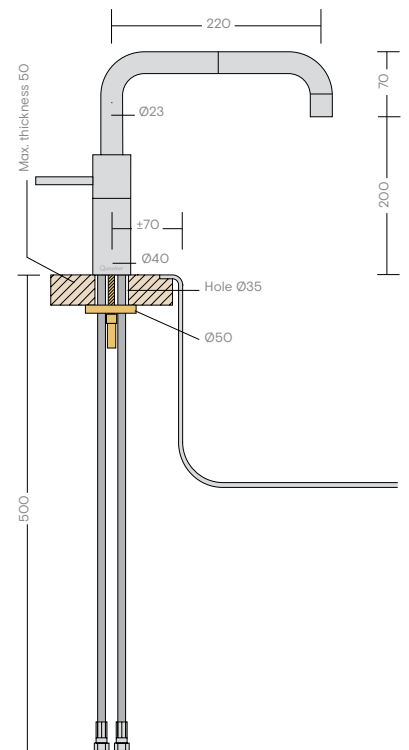
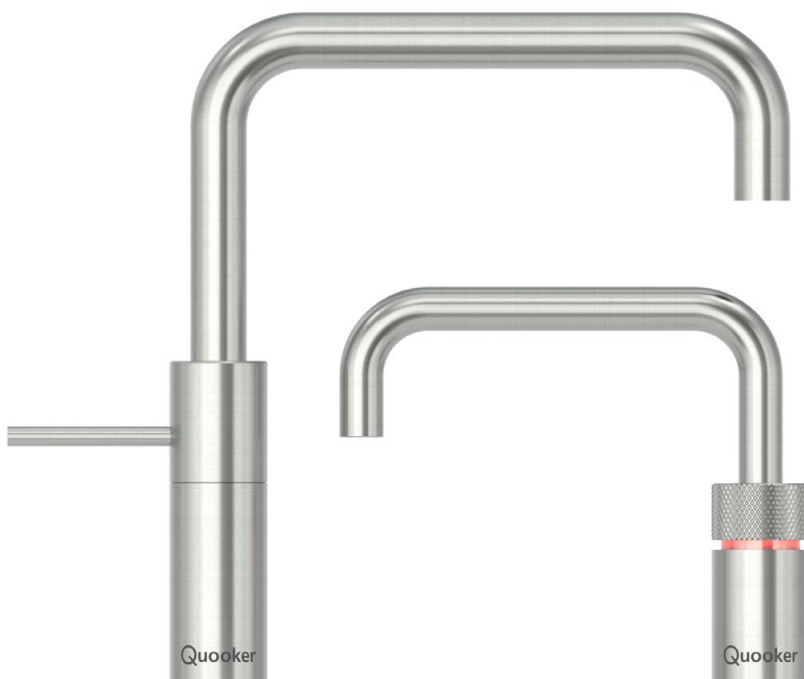
The boiling-water taps in the Twintap sets are also available separately – in case you already have a nice mixer tap or if you want to choose a different mixer tap. The Nordic Round is a boiling-water tap with a round spout. It is height-adjustable and can be rotated 360°. The mixer taps are also available on its own for use at a second sink as a partner to the Flex or Fusion.

---

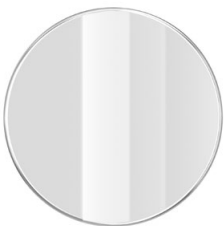


# Nordic Square Twintaps

Consists of mixer tap and boiling-water tap in the same design with straight spouts. The boiling-water tap in the set is height-adjustable and can be rotated 360°. The mixer tap has a rotating spout.



## Finishes



polished chrome (CHR)

---

The boiling-water taps in the Twintap sets are also available separately – in case you already have a nice mixer tap or if you want to choose a different mixer tap. The Nordic Square is a boiling water tap with a straight spout. It is height-adjustable and can be rotated 360°. The mixer taps are also available on its own for use at a second sink as a partner to the Flex or Fusion.

---

